

# Data Quality Analysis and Revalidating the Pipelines

Robert Lupton  
LSST Pipeline Scientist

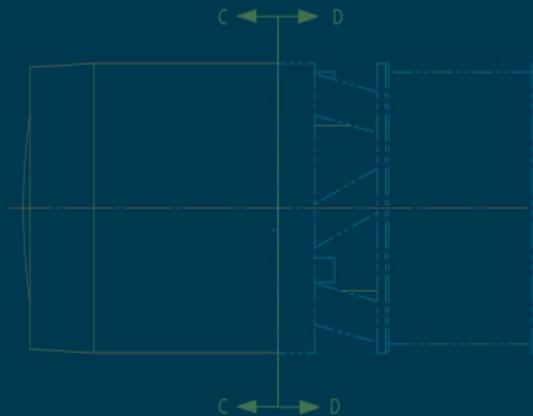
2017-01-25

LSST2016 PROJECT AND COMMUNITY WORKSHOP

AUGUST 15-19, 2016 | TUCSON, ARIZONA

LSST DM construction has two tasks:

- build the pipelines
- Commission the pipelines with the real telescope and camera



LSST DM construction has two tasks:

- build the pipelines
- Commission the pipelines with the real telescope and camera

Fortunately *validating* and *commissioning* are very similar tasks.

